



**GATEStop™**



**GATEHandle™**



# Convenient, industrial-strength gate stop and handles

**LIFETIME WARRANTY**



## SureClose® READYFIT Gate Stop

- Gate stops at 85° to prevent damage to hinge-closers
- Reduces wear on gate and lessens need to adjust hinges
- Semi-soft rubber bumper minimises gate bounce-back
- Weld or fasten - 12g Tek screws included
- Custom finish rated to 1,000 hours of salt-spray and 500 hours UV - no need to grind off before welding
- Stainless steel components
- Horizontally adjustable to ensure maximum opening of 85° for hinge-side gate gaps of 12-35mm



**D&D Technologies**

World's most trusted gate hardware



# Convenient, industrial-strength gate stop and handles

**LIFETIME WARRANTY**



TCGS3

**GATEStop™**

## Gate Protection Device

- Industrial-strength polymer construction + rubber bumper
- Prevents damage to latches & hinges
- Greatly reduces gate-slam noise
- Two side-fixing legs for added strength
- 3 sizes & styles



**GATEHandle™**

## Gate Protection Device

- Series 3: Improved ergonomics & styling
- Side-fixing legs for quick alignment & added strength
- Fits left-handed or right-handed opening
- Won't rust, stain or chip
- Industrial-strength polymer construction
- Stainless steel fasteners included



**D&D Technologies**

World's most trusted gate hardware

TCGS1



TCGS2

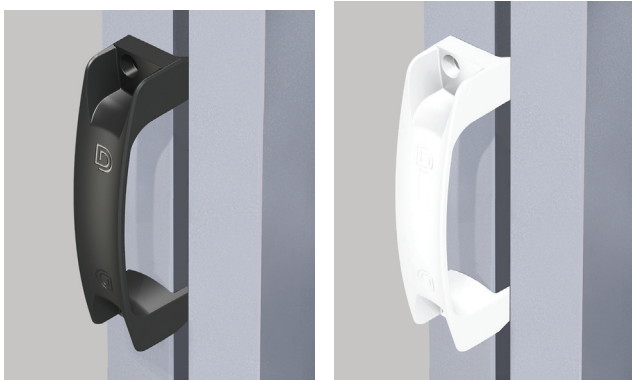
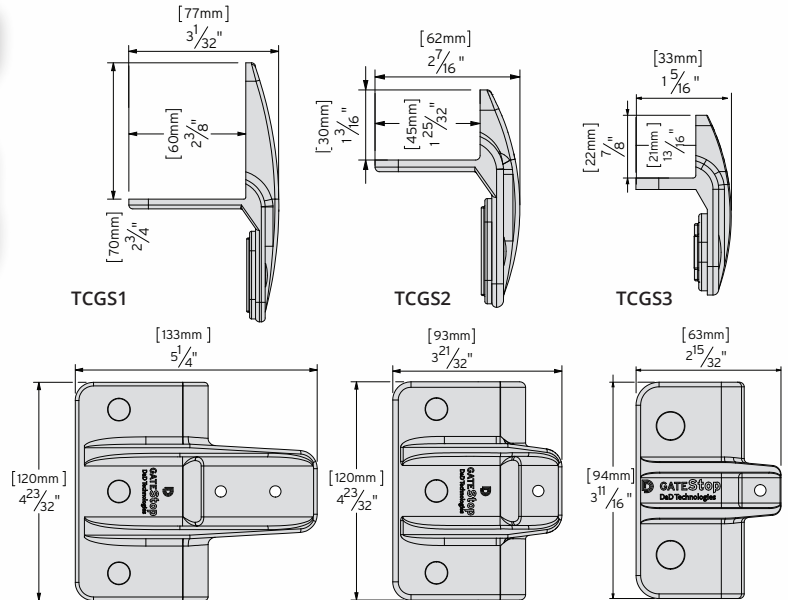


TCGS3



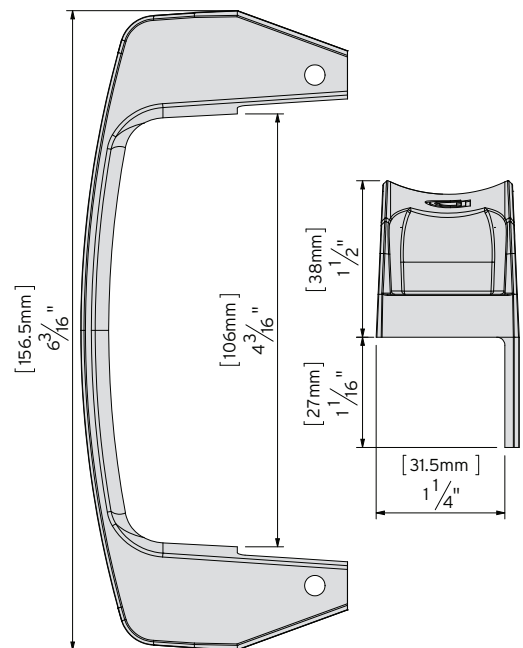
## Product Dimensions

CODE	COLOR	GATE MATERIAL
TCGS1	Black, White	Wood, Vinyl
TCGS2	Black	Metal, Wood, Vinyl
TCGS3	Black	Metal



## Product Dimensions

CODE	COLOR	GATE MATERIAL
LL3GH	Black	Metal, Wood, Vinyl
LL3GHWT	White	Metal, Wood, Vinyl



[www.ddtechglobal.com](http://www.ddtechglobal.com)

Unit 6, 4-6 Aquatic Drive, Frenchs Forest NSW 2086  
Tel: (02) 9454 7888 Email: sales@ddtech.com.au